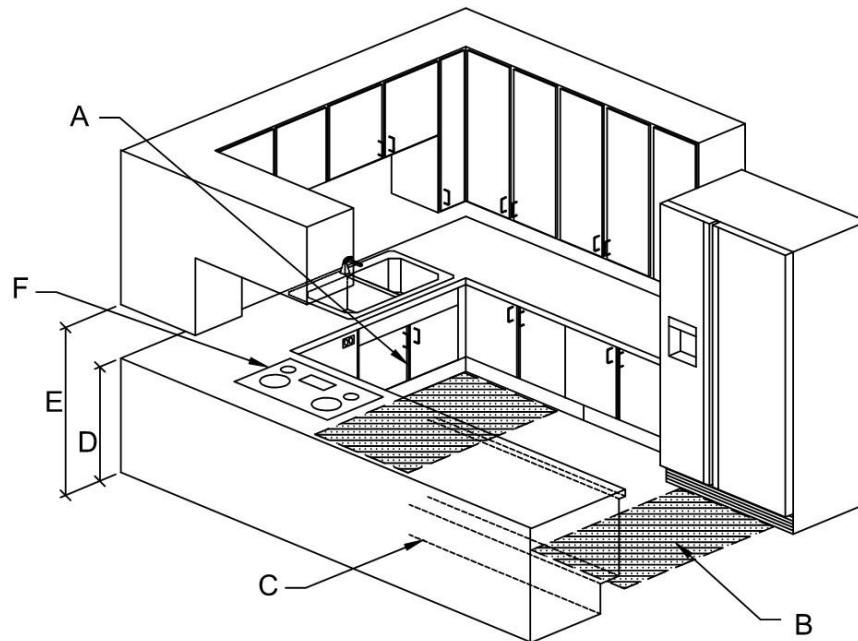


This Tip Sheet reflects code requirements of the 2015 International Building Code (IBC) and ICC A117.1-2009 with Washington State Amendments.

This is a three-dimensional *sample Kitchen Layout* for a residential Type B unit. Compliance with the following code provisions shall be documented on plans submitted for permit.



- A. Clear floor space for sink:** 30" x 48" clear floor space positioned for parallel approach at sink shall be provided, except for sinks complying with 606 for parallel or forward approach. The centerline of the sink shall align with the centerline of floor space.
- B. Clear floor space for appliances:** 30" x 48" clear floor space positioned for parallel or forward approach to all kitchen appliances shall be provided. The dishwasher door shall not swing into this space.
- C. Clearances:** For U-shaped kitchens, between all opposing counters, base cabinets, countertops, appliances, and walls within kitchen work area shall be 60" minimum. For galley kitchens, clearance between all opposing counters, base cabinets, countertops, appliances, and walls shall not be less than 40".
- D. Counter height:** The counters shall be no higher than 34" maximum above the floor.
- E. Upper cabinet height:** The bottom of the upper cabinets shall not be more than 54" maximum above the floor.
- F. Clear floor space for range or cook-top:** 30" x 48" clear floor space positioned for parallel or forward approach shall be provided at the range or cook top. Toe and knee clearance provided per Figures 1 and 2 shall be provided where the clear floor space is positioned for forward approach.

GENERAL INFORMATION:

- The intent of this Tip Sheet is to provide a general understanding of the code requirements and does not address the subject in great detail.
- Additional information can be obtained from your local [participating jurisdiction](#).

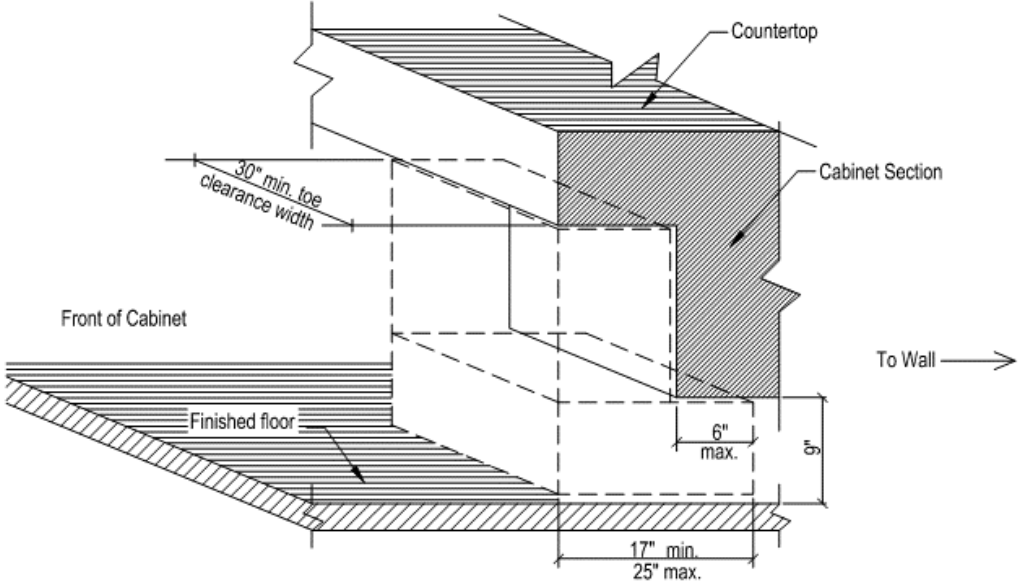


Figure 1 - Toe Clearance

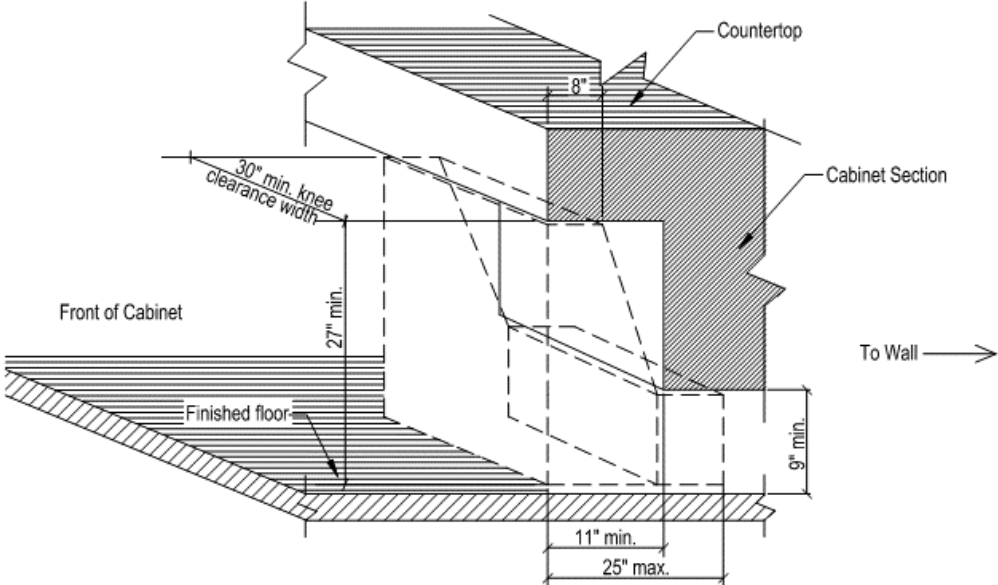


Figure 2 - Knee Clearance

GENERAL INFORMATION:

- The intent of this Tip Sheet is to provide a general understanding of the code requirements and does not address the subject in great detail.
- Additional information can be obtained from your local [participating jurisdiction](#).

