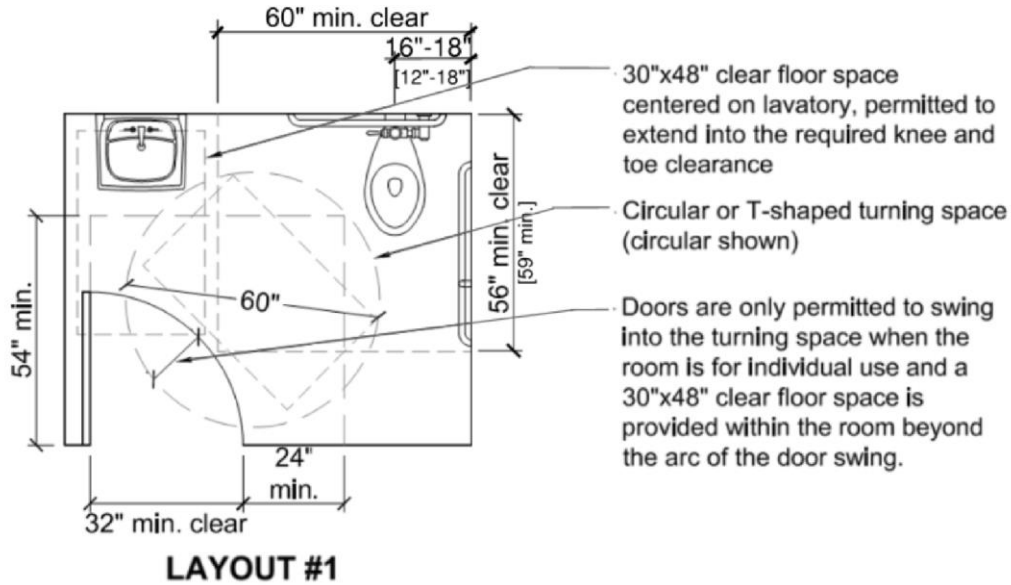
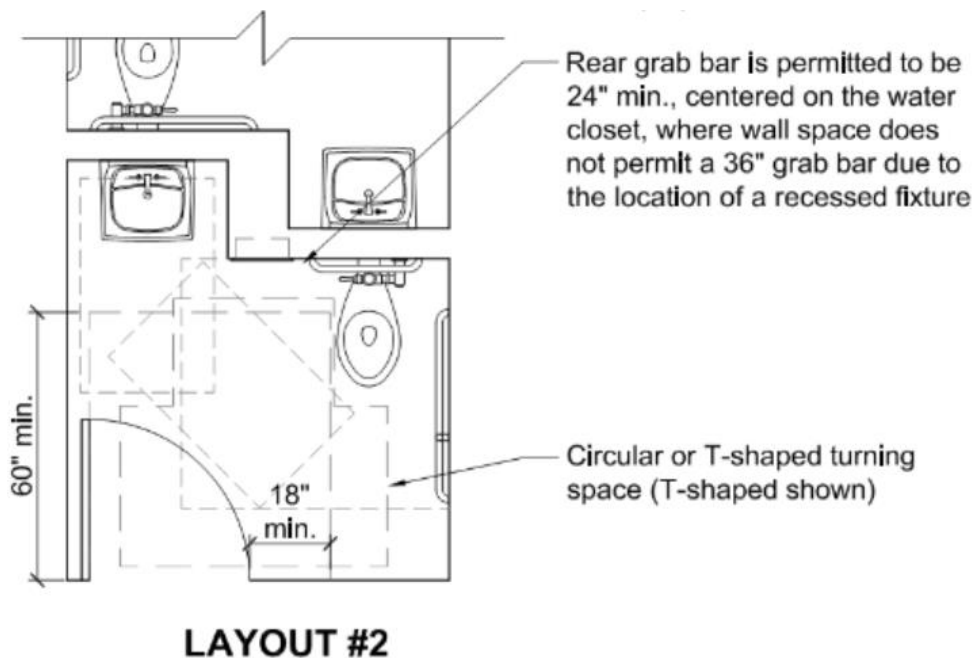


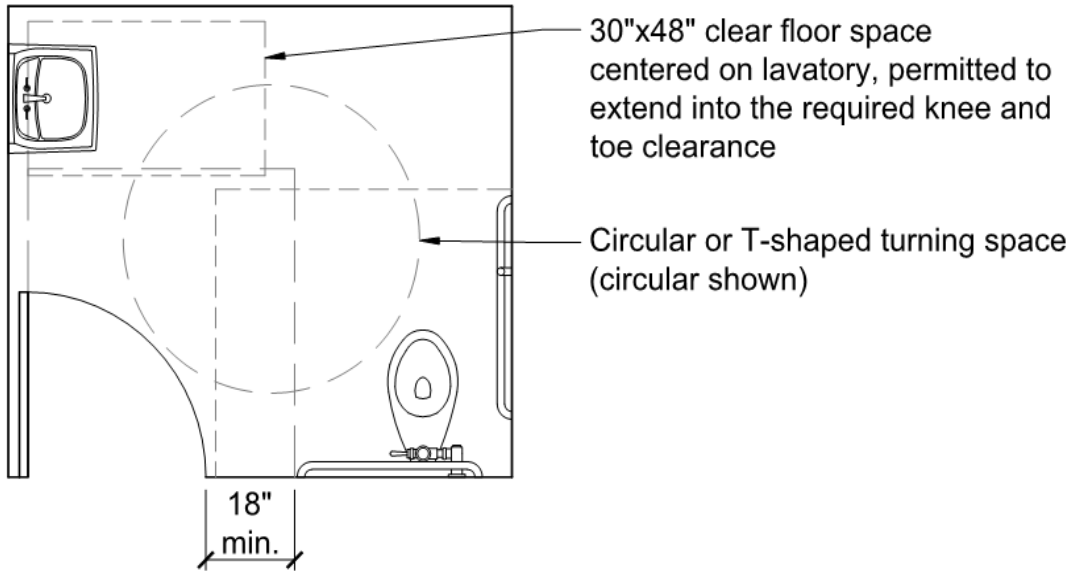
### Single User Accessible Restroom

This tip sheet reflects code requirements of the 2021 International Building Code (IBC) and ICC A117.1-2017 with Washington State Amendments.

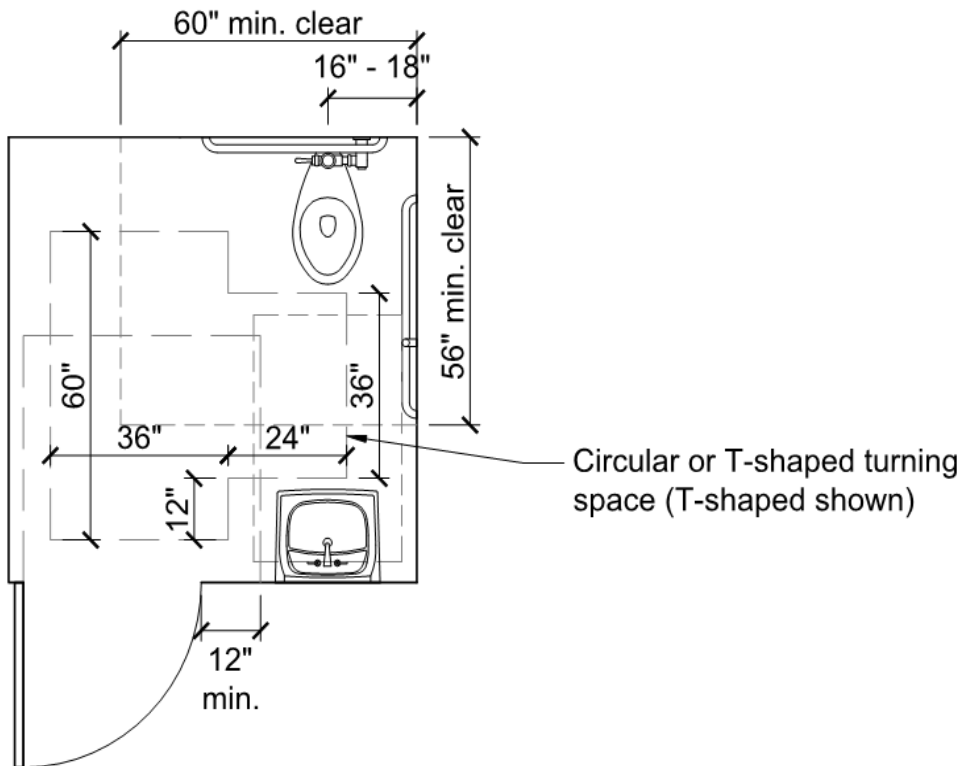


Key: [children's dimensions]

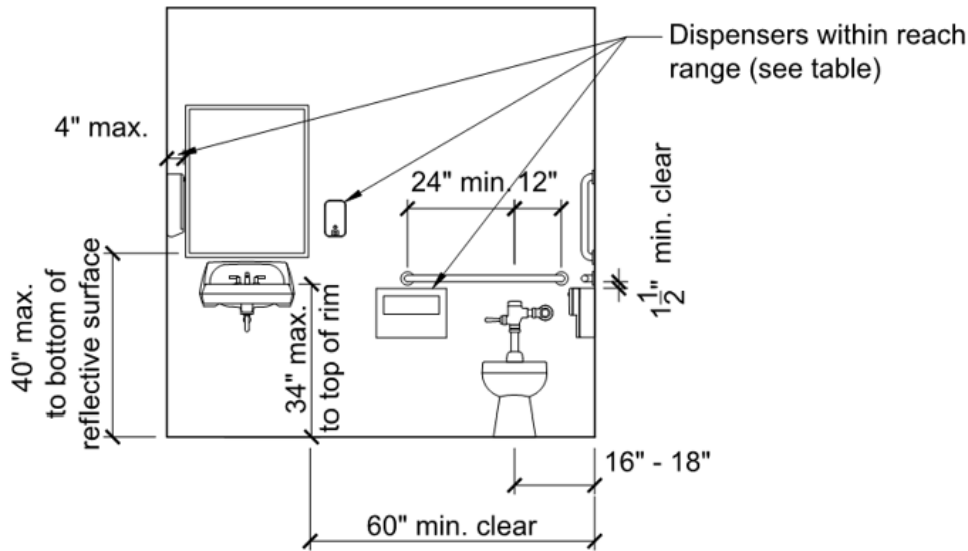




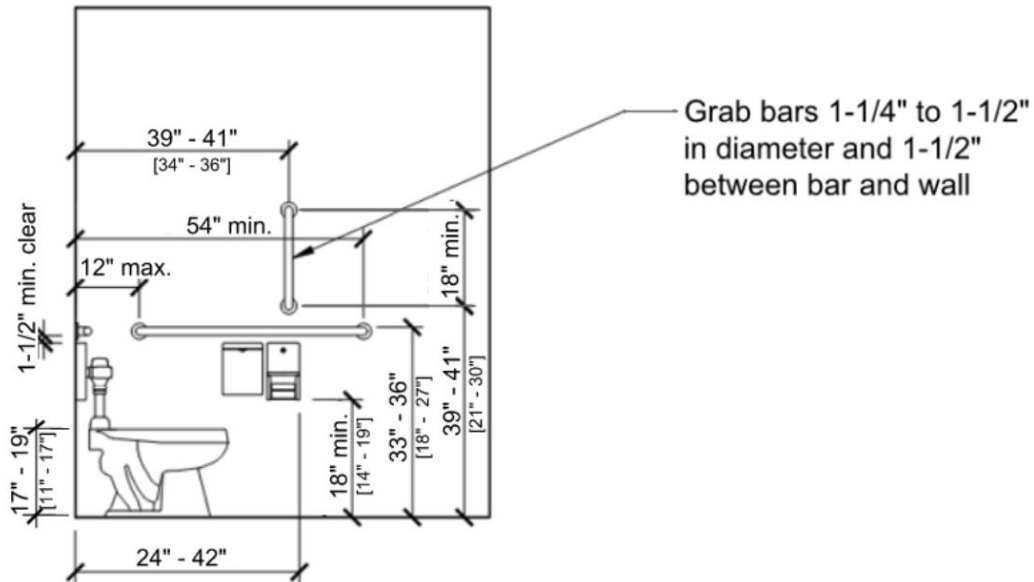
**LAYOUT #3**



**LAYOUT #4**

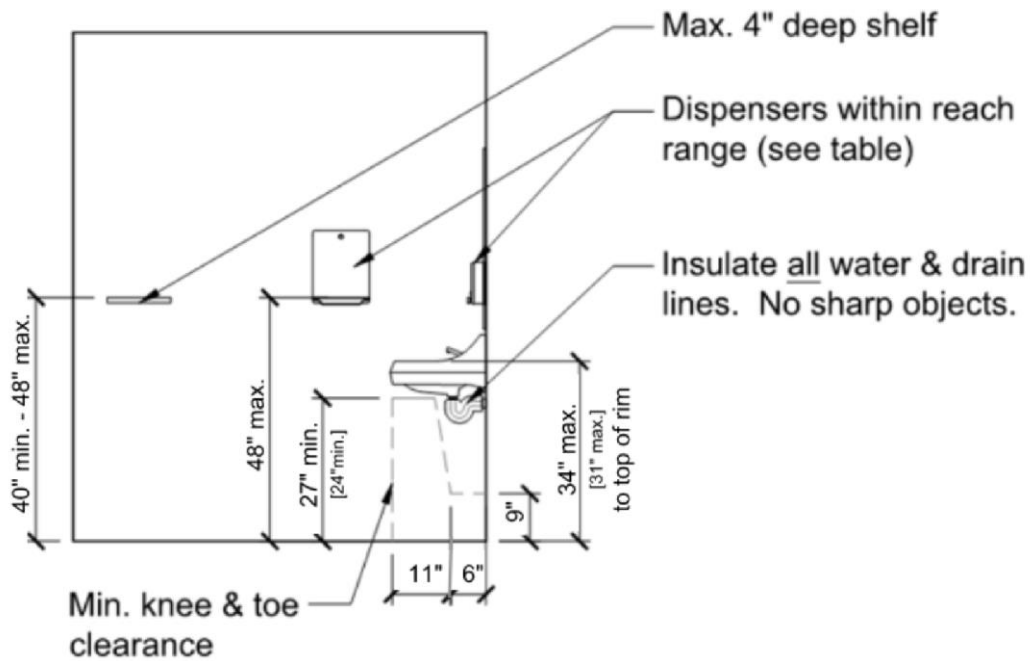


**BACK WALL**



**SIDE WALL**

Key: [children's dimensions]



Key: [children's dimensions]

OBSTRUCTION DEPTH, MAX	DISPENSER REACH HT. MAX.
0.5 IN	48 IN
2 IN	46 IN
5 IN	42 IN
6 IN	40 IN
9 IN	36 IN
11 IN	34 IN

**REACH RANGE  
TABLE 603.6**

Where dispensers, outlets, or controls are installed above obstructions (lavatories, etc), ensure max depth and height in accordance with ICC/ANSI A117.1 Table 603.6

Per 606.2, Exception 4: A parallel approach complying with Section 305 and centered on the sink, shall be permitted at lavatories and sinks used primarily by children ages 5 and younger (see image below).

