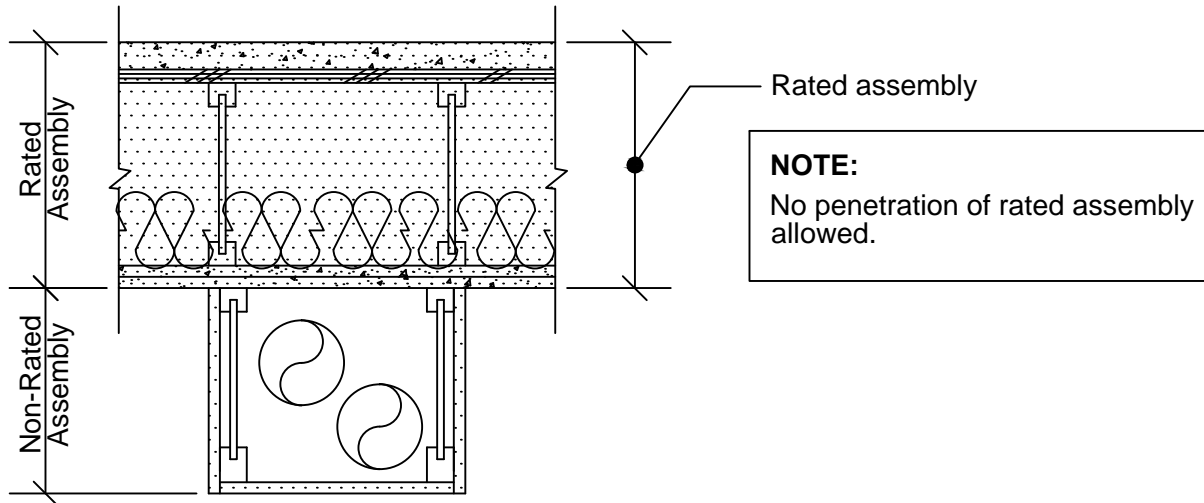
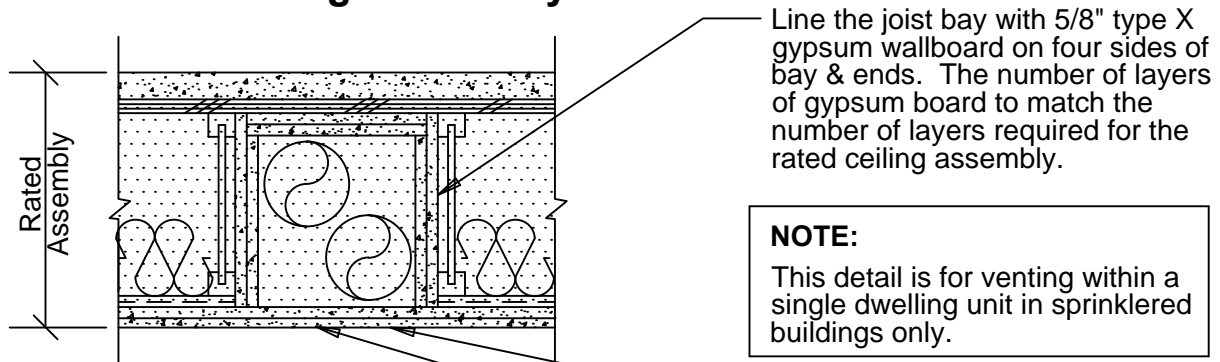


2012 Codes

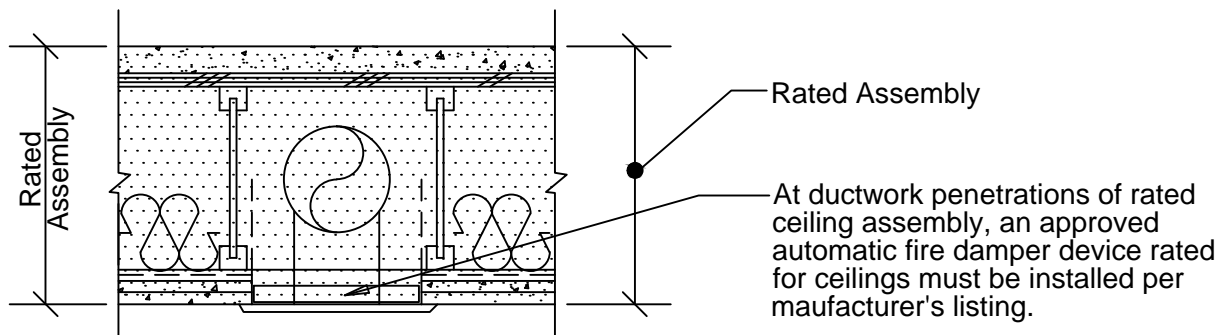
### Duct Below Rated Assembly



### Duct Through Joist Bay



### Fire Dampers



#### GENERAL INFORMATION:

- The intent of this tip sheet is to address the requirements of horizontal venting only in residential structures. For specific questions not addressed here or requiring further clarification, please contact your local building department.
- Intended for heat, vent, cooling, and exhaust ducts only.

**Protected Fan in Joist Space  
(Sprinklered Buildings Only)**

