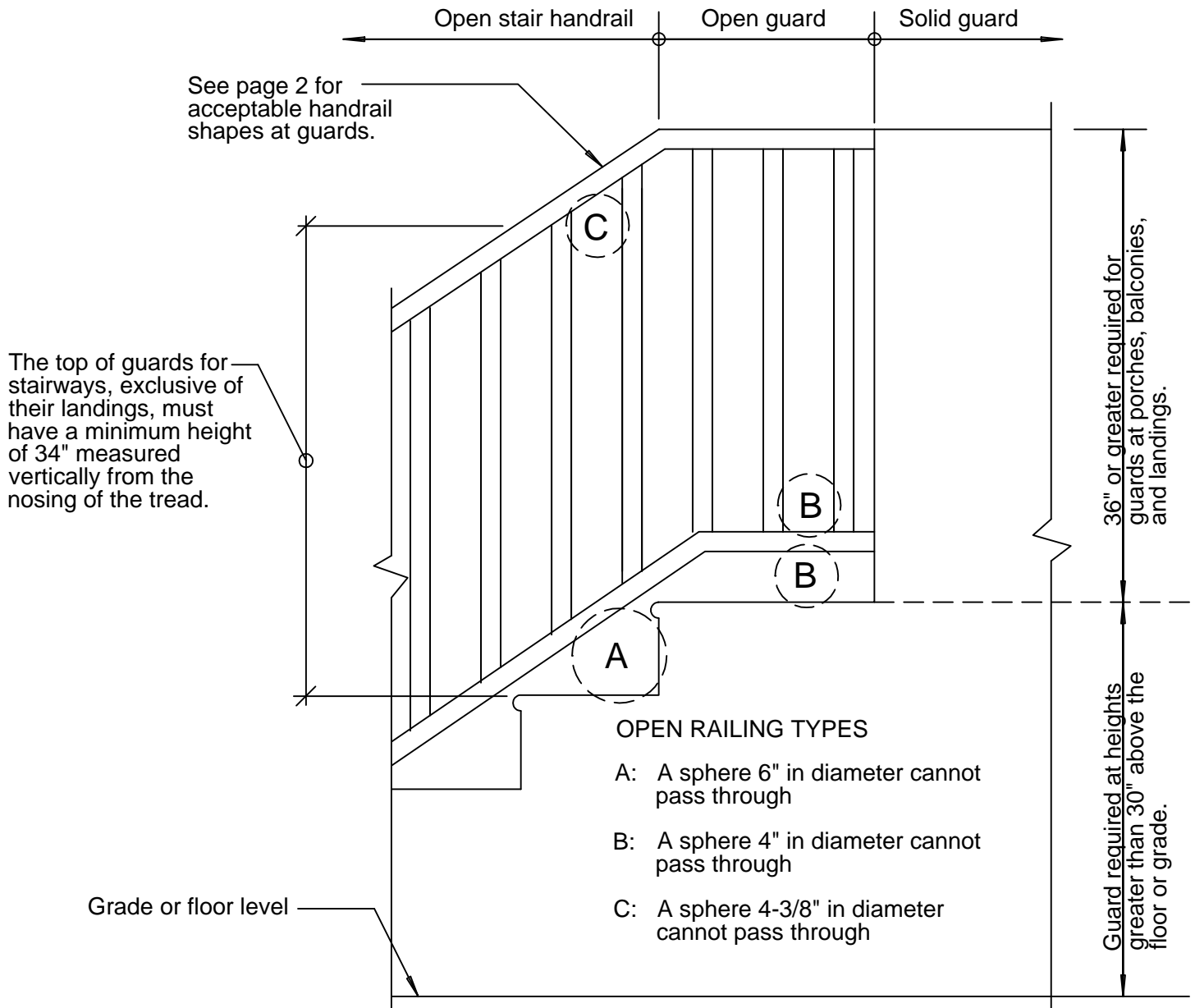


2012 IRC

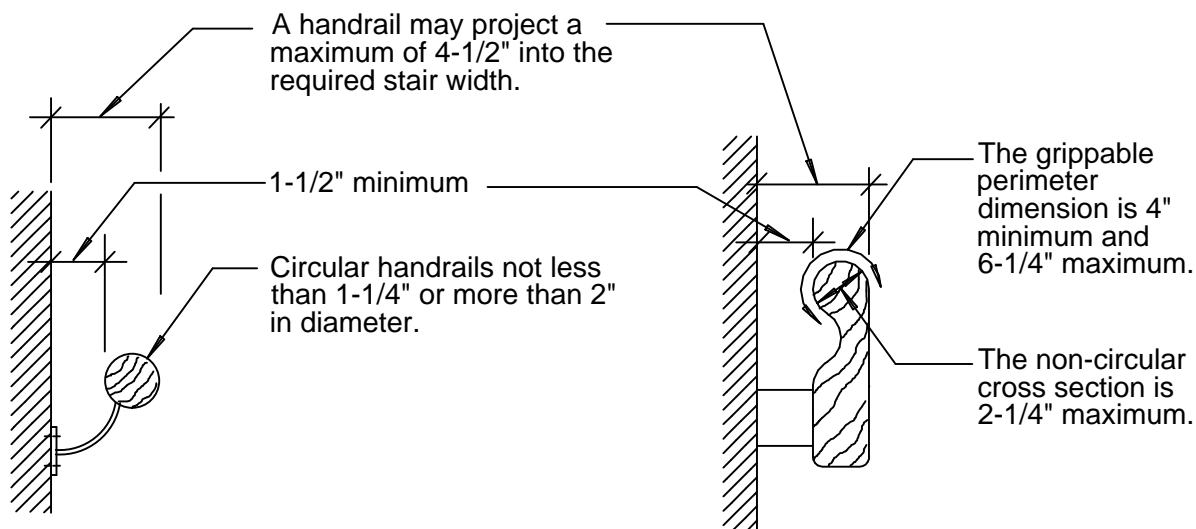


## Guard Elevation R312

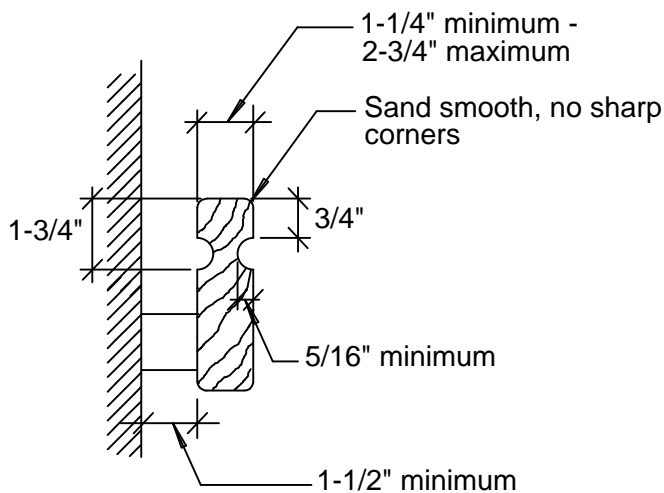
### GENERAL INFORMATION:

- Consult with your local planning department regarding required setbacks.
- Obtain a building permit before starting construction.
- The intent of this sheet is to address the basics of private residential stair construction only and does not address the subject in great detail. Additional information can be found at your local building department, home improvement store, or library.
- This tip sheet is intended to show code requirements per the 2012 International Residential Code.

## Acceptable Handrail Shapes at Guards R311.7.8



### Type I Handrails R311.7.8.3



### Type II Handrails R311.7.8.3

(At handrails with a perimeter greater than 6-1/4")

See Tip Sheet 2 for additional information.