

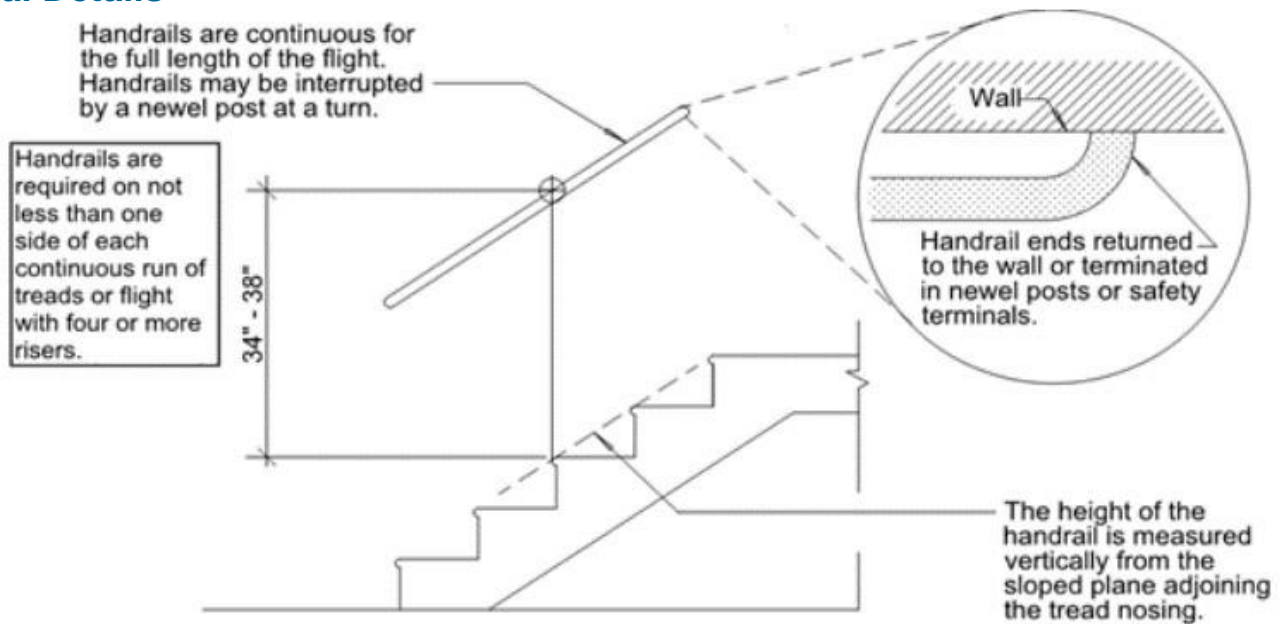
## Residential Handrails

This tip sheet reflects code requirements of the 2018 International Residential Code (IRC) with Washington State Amendments.

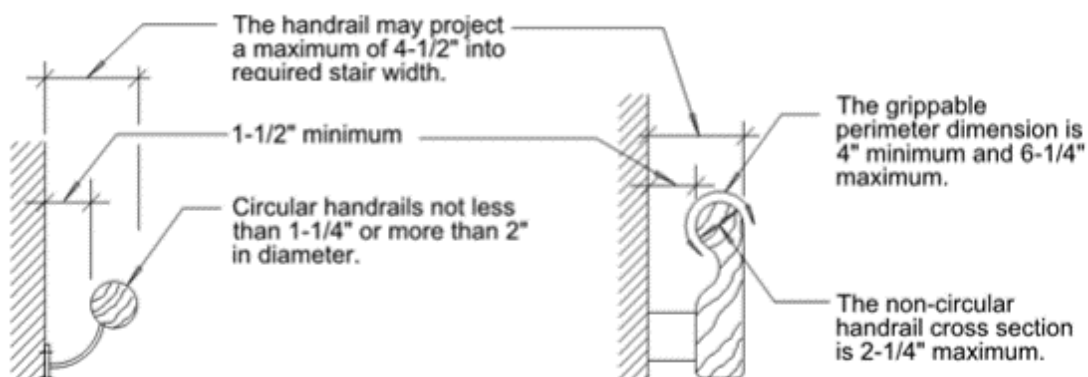
### Where Required

Handrails are required on at least one side of each continuous run of treads or flight with four or more risers.

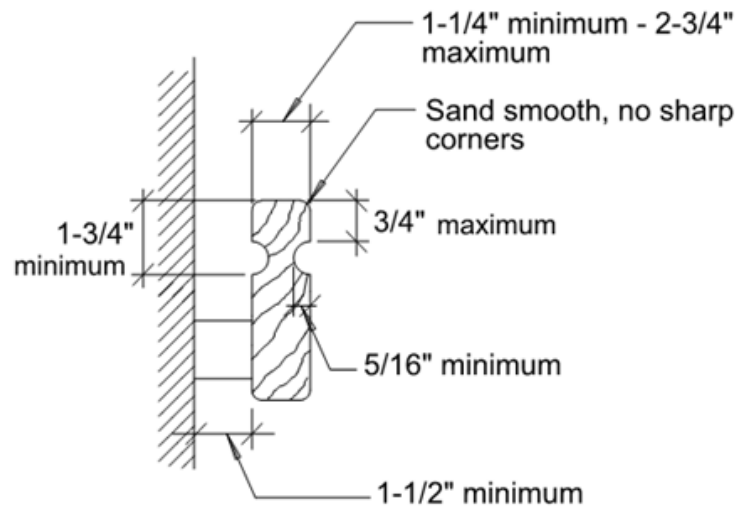
### Typical Details



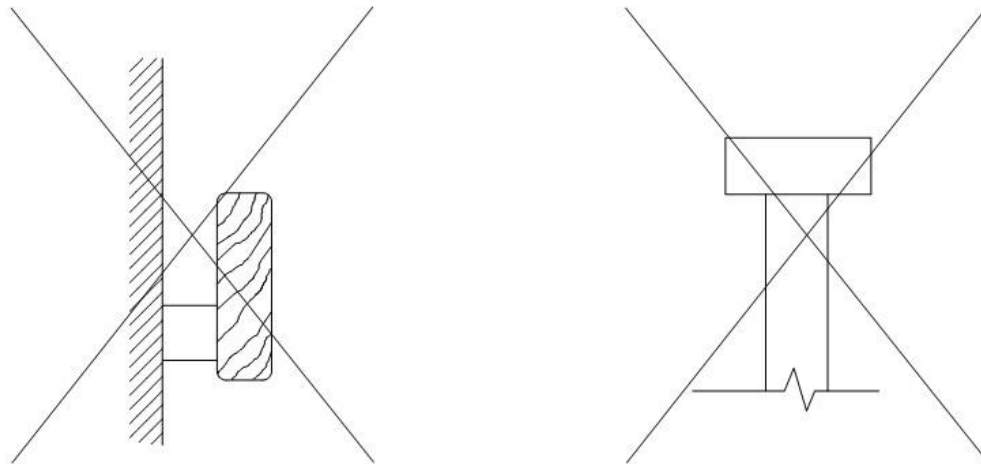
**Figure 1:** Typical Handrail Elevation (IRC R311.7.8)



**Figure 2:** Type I Handrails (IRC R311.7.8.5)



**Figure 3:** Type II Handrails (At handrails with a perimeter greater than 6-1/4 inches) (IRC R311.7.8.5)



**Figure 4:** Unacceptable Handrails